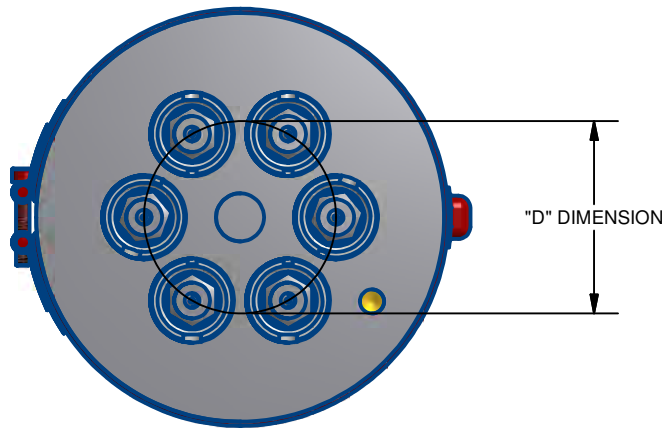
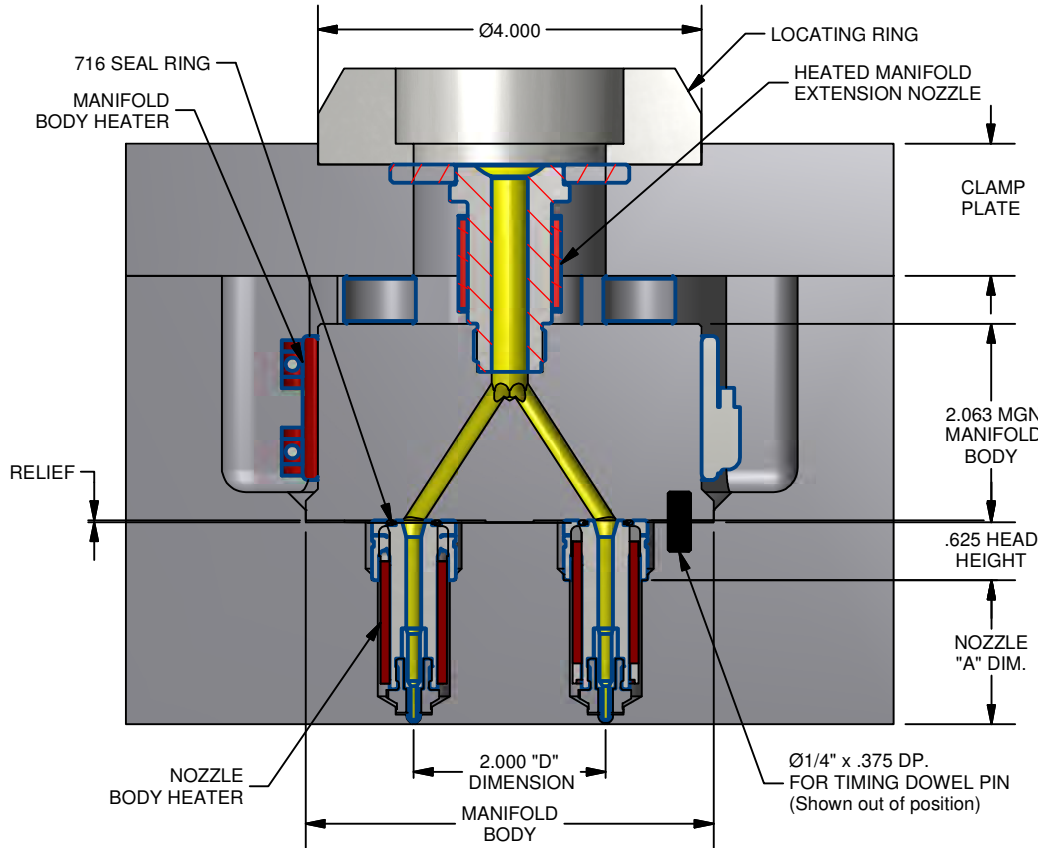
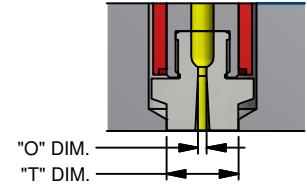


## Multiple Gate Nozzle System, "MGN HYBRID"

**NOZZLE DESCRIPTION:** The "MGN" 20 Series Multiple Gate Hybrid Nozzle couples the MGN performance with the versatility of our 20 Series convertible nozzles and tips. The "MGN" Hybrid Nozzle offers balance, minimal residence time, and the design flexibility with our 20 Series nozzles. The "MGN" Hybrid is the unique solution for various applications.

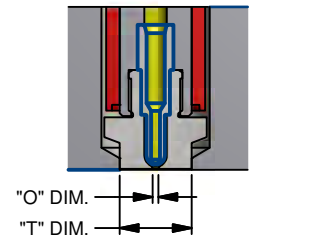


### ABSOLUTE FLOW



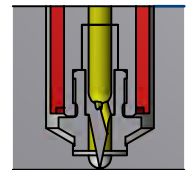
VARIOUS "O" AND "T" DIMENSIONS AVAILABLE  
STANDARD FLOW  
RADIUS FLOW  
HI-FLOW  
&  
EXTRA STOCK  
OPTIONS AVAILABLE

### FULL BODY



VARIOUS "O" & "T" DIMENSIONS AVAILABLE  
GNT OR GNF NEEDLE OPTIONS  
&  
EXTRA STOCK  
OPTION AVAILABLE

### BODYLESS



GNT OR GNF NEEDLE  
OPTIONS AVAILABLE

\*FOR MORE INFORMATION ON TIP STYLES PLEASE SEE THE CVT-020 CATALOG SECTION

## HOW TO ORDER

### Specify:

- "D" Diameter
- Number of Drops
- "A" Length of Drops
- Application Pocket  
- 1/2" or 3/4" Radius
- Tip Style
- "O", "T", Optional Extra Stock
- Resin to be Processed

"A" DIMENSION
1.500
2.000
2.500
3.000

"D" DIMENSION	MAX. NUMBER OF DROPS
1.500	4
1.750	5
2.000	6

\* Note: The information given here should be used as a guide. A variation in growth of any nozzle from the formulation is possible due to cooling conditions or mold configuration. It is advisable to allow a margin of safety. For some very critical applications, an empirical factor may have to be obtained.

NOTE: For sizes other than shown, please contact Osco Tech Service.